

# Fact Sheet

## GLM-I G5 70

# BIZERBA

*Excellent labeling with the GLM-I: An innovative solution allows working efficiently in small spaces - with optimized set-up time, best availability and quality check inside. Discover tangible added value for your price and goods labeling.*



**More information**  
High performance  
with a wide range of  
solutions and options.

Specifications	Facts	Details
<b>Weighing ranges</b>	6 kg	Verification scale interval 2 g (optionally 1 g)
	6/10 kg	Verification scale interval 1/2 g
	12 kg	Verification scale interval 2 g
	6/15 kg	Verification scale interval 2/5 g
<b>Weighing belt dimensions</b>	W 300 mm x L 400 mm	6 kg
	W 300 mm x L 500 mm	6 kg, 6/10 kg
	W 300 mm x L 700 mm	6 kg
	W 400 mm x L 500 mm	12 kg, 6/15 kg
	W 400 mm x L 700 mm	12 kg, 6/15 kg
<b>Printing technology</b>	Printing method	Thermal direct (optionally thermal transfer)
	Resolution	8 dot/mm (optional 12 dot/mm)
	Print width	104 mm (optionally 168 mm for platen printer)
	Print speed	350 mm/s
	Label output	172 mm
<b>Labeler</b>	Label size	min. W 30 mm x H 30 mm to W 120 mm x H 150 mm (depending on applicator type, further dimensions available as special version)
	Label roll	Core diameter 74 - 82 mm (optionally 99 - 107 mm) Outer diameter 300 mm
	Thermal transfer ribbon	Core diameter 25.4 mm Outer diameter 81 mm
<b>Labeling technology</b>	Air-jet applicator	Compressed air supply 6 bar, for top or bottom labeler
	Piston applicator	Compressed air supply 2 bar, for top or bottom labeler
	Rotary applicator	for top labeler only
	Belt applicator	Compressed air supply 6 bar for bottom labeler only
<b>Labeler setting</b>	Height adjustment	powered
	Lateral adjustment	powered
<b>Package size</b>	min. W 40 mm x L 80 mm x H >1 mm	depending on weighing belt dimensions
	max. W 400 mm L x 650 mm H x 250 mm	
<b>Vision system</b>	LabelSecure T basic (optional, downstream, only PLU change)	100% quality control: Label position, logo identification, presence monitoring, barcode / data code reader (1D, 2D), OCR text recognition
<b>Labeling capacity</b>	max. 70 ppm	Depending on device version, weight, package type and label size

<b>Barcode versions</b>	all common barcode versions	EAN/UPC 8, EAN/UPC 13, EAN/UPC 128, Code 2/5 int., Code 39, Code 128, GS1-128, PDF417, PDF417 with AI, GS1 DataBar Omni, GS1 DataBar, GS 1Data Matrix, GS1 QR code
<b>Mains voltage</b>	400V/50Hz 208V/60Hz	3-phased
<b>Operating temperature</b>	0 °C to 40 °C	Stand-by up to -10 °C
<b>Humidity</b>	20 - 90%, non-condensing	
<b>IP rating</b>	IP20 IP54	Printer Scale, transport, control cabinet
<b>Memory</b>	2 GB	
<b>Operating unit</b>	16" color touchscreen	optional industrial PC iS75 Operating concept with one or several displays possible

Options	Facts	Details
<b>Rotary and alignment station</b>	For products of up to 6 kg	Attachment in place of infeed conveyor  Rotation of packages from crosswise to lengthwise
<b>Package alignment</b>	for infeed and indexing conveyor	not possible for turn and align station
<b>Rejection function</b>	Pusher Package ejector	up to 2 kg (optionally up to 6 kg)

## Info graphics



## Symbols



Unicode



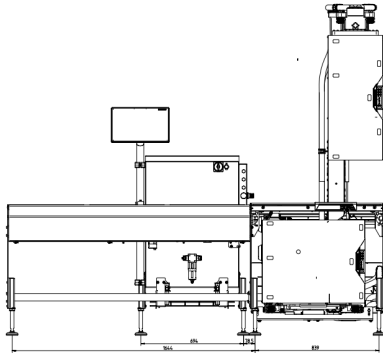
WS Food



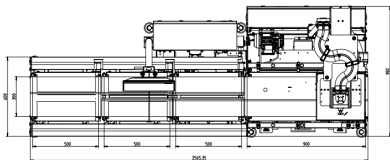
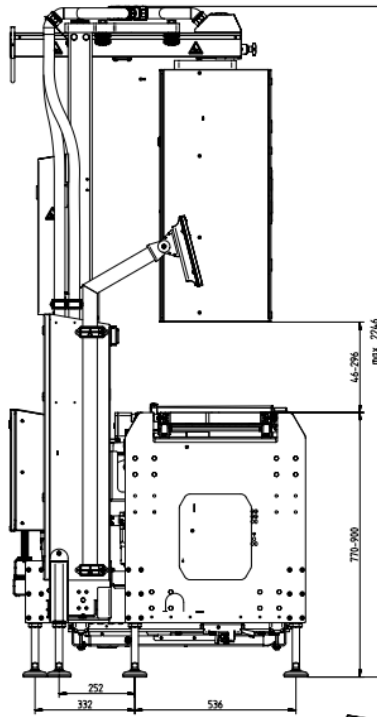
Plug-in Label  
Industry 4.0  
bel



## Dimensional drawings



Example of a modular design



**Bizerba SE & Co. KG**  
Wilhelm-Kraut-Straße 65  
72336 Balingen

T +49 7433 12-0  
fax: +49 7433 12-2696  
marketing@bizerba.com

[www.bizerba.com](http://www.bizerba.com)