

iS50 Industrial Weighing Terminal

This powerful, robust and freely programmable iS50 Industrial Weighing Terminal is the all-rounder among the weighing terminals. Not only because it is suitable for numerous applications thanks to its comprehensive application software, but also because it is already fitted with Codesys. Thus the iS50 Industrial Weighing Terminal is freely programmable and can also use the integrated Soft-PLC.



More information
High performance
with a wide range of
solutions and options.

Specifications	Facts	Details
Housing	Front: Stainless steel	1.4301
	Housing: Stainless steel	1.4301
	Wall / table-top mounting	
Dimensions (mm):	w/o table-top/wall mounting	344x254x123 mm (W x H x D)
Auxiliary power	Mains supply 100 - 240 V	50 / 60 Hz
	24 V AC / DC	
	24 V DC, rechargeable battery	
IP rating	IP65	according to DIN 40050 (EN 60529)
	IP69	
Ambient temperature	Operation metrologically approved	-10 °C to +40 °C
	Storage / transport:	-20 °C to +60 °C
Display	Full graphic TFT display with white LED backlighting	– Size 7"
		– Resolution 800 x 480 pixels
		– Display field 156 x 95 mm
Membrane keyboard	Membrane keyboard with 39 individual keys and integrated display field	QWERTY keyboard
Standard interfaces	ETHERNET	10/ 100 Mbit
	USB	Master / slave
	USB service interface	
	4 I/O	
Scale interface	Weighing module 1 to 3	Analog scale
		Digital scale
		PESA scale
Application programs	Basic software weighing	More software programs optionally available
Cycle times	≥ 20ms	for cycle times < 20 ms clarification with application management
EC type approval	D08-09-028, 4th revision	PTB-1.12-4067644

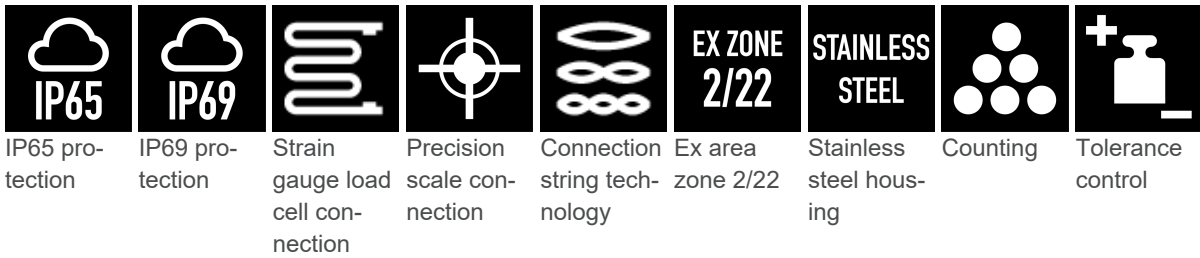
Options	Facts	Details
Interfaces	RS232	galvanically isolated
	RS232, 500mA	galvanically isolated
	RS422	galvanically isolated
	Field bus	Profibus DP Slave, 12 MBit
		Profinet IO
	Analog output	Current and voltage output 16 bit 0/4-20 mA or 0-10 V
	USB	Master

	8 inputs / 8 outputs - expansion	total of 12 inputs / 12 outputs per weighing module (max. 36 I/O)
	I/O power supply	Internal, 12 V, 500 mA, galvanically isolated
	External WM	via CAN bus
Second and third scale interface	Weighing modules 2 and 3	<ul style="list-style-type: none"> – Analog digital converter for strain gauge load cells – Pesa interface – Precision scale connector RS232 MP8-4 (200 ms)
ES for verified application	Metrologically approved data storage Basic	Including SD card
Application programs, program licenses	Counting	SW program counting
	Tolerance check	SW program tolerance check
	Statistics	SW program statistics
	Dosing	SW program single-component dosing / filling
	Price calculation	SW program price calculation
	Recording database	For EDP / printer
	Data input devices	Connection volume measuring device, scanner
	Data output devices	Connection of printer, remote display
	Field bus	Profibus DP, Profinet IO
Rechargeable battery	Battery box 24 V	<ul style="list-style-type: none"> – 24 V DC, capacity 10 Ah – Stainless steel housing with handle – IP65 rating – Connection via flange connector – Operating time approx. 12-35 hours, depending on configuration level
Charger	Charger for 24 V battery box	<ul style="list-style-type: none"> – Mains supply 220/240 V, 50 Hz – 24 V with European standard size plug – IP20 rating
Battery holder	Version, stainless steel	
Measuring cable	3 m, 6 m, 10 m or running meter up to 50 m	Optionally available as pluggable measuring cable
Data and control cables	3 m, 6 m, 10 m or running meter	Various data and control cables
Control panel installation	Built-in version for installation in control panel	370 x 280 x 124 mm (W x H x D)
	Stainless steel 1.4301	
	IP65 rating	
Ex version	iS50-Z2 and iS50-Ex Industrial Weighing Terminal	For use in Ex zones 2/22 and 1/21
Stand	Stainless steel column	Stainless steel 1.4301
Protective hood	Polyurethane	Walopur 2201 U

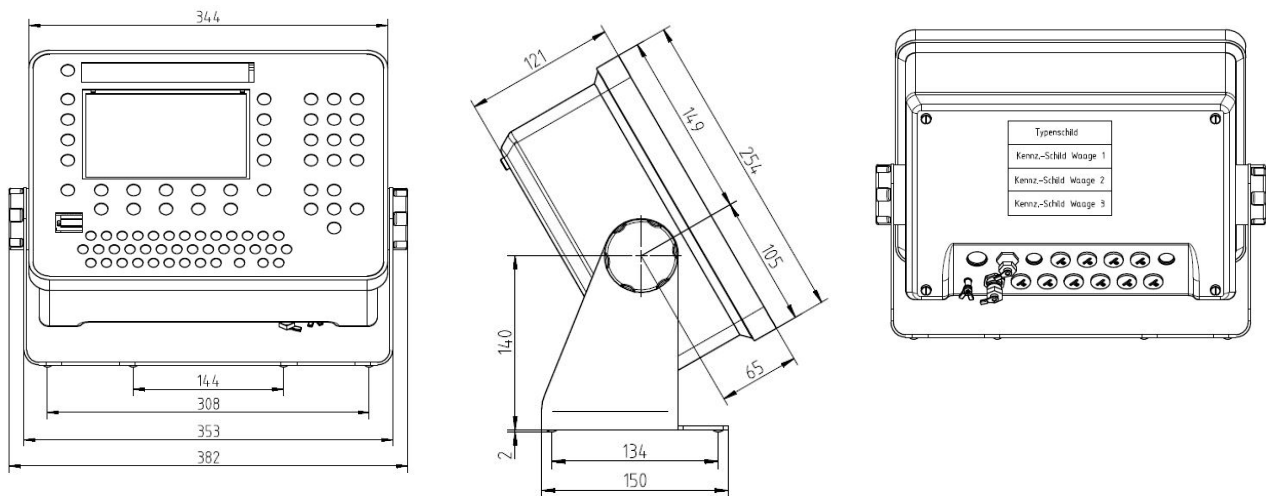
Info graphics



Symbols



Dimensional drawings



Bizerba SE & Co. KG
 Wilhelm-Kraut-Straße 65
 72336 Balingen

T +49 7433 12-0
 fax: +49 7433 12-2696
 marketing@bizerba.com

www.bizerba.com