

# Fact Sheet

## FSL-ECO S

# BIZERBA

*Filling system FSL-ECO S is the optimal entry level model for small companies who want to fill high-quality, uncritical and non-flammable liquids. With automatic filling as accurate as 1 gram this practical system lets you save time and money.*



**More information**  
High performance  
with a wide range of  
solutions and options.

Specifications	Facts	Details
<b>Weighing terminal</b>	iS30	Storing of up to 9 dosing parameters
<b>EC type approval</b>	DE-15-MI006-PTB003	
<b>Valve</b>	Above-surface valve	<p>A = with nozzle DN25, L=300 mm, product connection G 1 ¼", used for canisters, drums</p> <p>B = with nozzle DN40, L=300 mm, product connection G 1 ¼", used for drums, containers</p> <p>D = without nozzle DN25, product connection G 1 ¼", used for pails</p> <p>E = without nozzle DN50, product connection G 2", used for pails, containers</p> <p>F = project valve</p>
<b>Valve material</b>	1.4404/1.4571	
<b>Seal</b>	PTFE	
<b>Actuator</b>	Hood: Anod.alum.	
<b>Load receptors</b>	<p>Platform scale</p> <p>Single-range:</p> <p>Dual range:</p> <p>Dual division:</p> <p>Pallet scale</p> <p>Single-range:</p>	<p>15 kg, e=5 g</p> <p>30 kg, e=10 g</p> <p>150 kg, e=50 g</p> <p>300 kg, e=100 g</p> <p>600 kg, e=200 g</p> <p>1,500 kg, e=500 g</p> <p>15/30 kg, e=5/10 g</p> <p>60/150 kg, e=20/50 g</p> <p>150/300 kg, e=50/100 g</p> <p>600/1,500 kg, e=200/500 g</p> <p>6/12 kg, e=2/5 g</p> <p>15/30 kg, e=5/10 g</p> <p>150/300 kg, e=50/100 g</p> <p>600 kg, e=200 g</p> <p>1,500 kg, e=500 g</p>
<b>Filling process</b>	Above-surface	
<b>Container</b>	<p>Canister</p> <p>Pail</p> <p>Drum</p> <p>IBC</p>	
<b>Dosing</b>	2-stage	coarse and fine
<b>Frame</b>	Stainless steel	1.4301

<b>Options</b>	<b>Facts</b>	<b>Details</b>
<b>Aspiration hood</b>		Aspiration hood with viewing window and hose connection
<b>Quick change filling valve</b>	Above-surface valve	A = with nozzle DN25, L=300 mm, product connection G 1 ¼", used for canisters, drums B = with nozzle DN40, L=300 mm, product connection G 1 ¼", used for drums, containers D = without nozzle DN25, product connection G 1 ¼", used for pails E = without nozzle DN50, product connection G 2", used for pails, containers F = project valve
	Below-bunghole valve	A = with nozzle DN25, L=300 mm, product connection G 1 ¼", used for canisters, drums B = with nozzle DN40, L=300 mm, product connection G 1 ¼", used for drums, containers F = project valve
<b>Manual below-bunghole filling position</b>	for below-bunghole filling	manually operated hand lever for the position filling valve in below-bunghole process
<b>Valve rack</b>	as a simple rack	non-corrosive valve rack for 3 shuttle valves with a max. nozzle length of 1,200 mm
	with cleaning	non-corrosive valve rack for 3 shuttle valves with a max. nozzle length of 1,200 mm with laterally installed cleaning funnel for a shuttle valve with a nozzle length of 1,200 mm
<b>Valve cleaning hand lever</b>	Cleaning of valves outside the system	manual actuator to open the shuttle valve for cleaning
<b>Grounding clamp</b>	without monitoring	
<b>Closing system lid roller</b>		autonomous station with driven roller conveyor pail
<b>Closing system lid push-in</b>	pneumatic	autonomous station with pneumatic stroke pail
<b>Closing system capping</b>	manual	Canisters and drums
<b>Closing system sealing caps</b>	manual	Canister
<b>Roller conveyor</b>	non-powered	before, on top of and after the load receptor
<b>Product hose suspension</b>		Pivotable boom made of stainless steel with guide rail and rollers Strain relief with connecting bracket attached to guide rollers
<b>Container balancer</b>		Canisters and pails
<b>Mobile chassis</b>	Castors on bottom of frame	Canisters and pails

## Info graphics

## Symbols



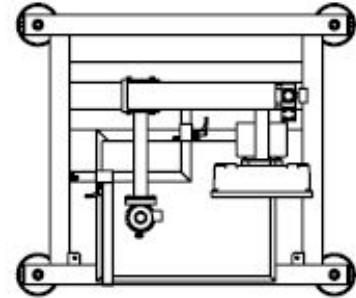
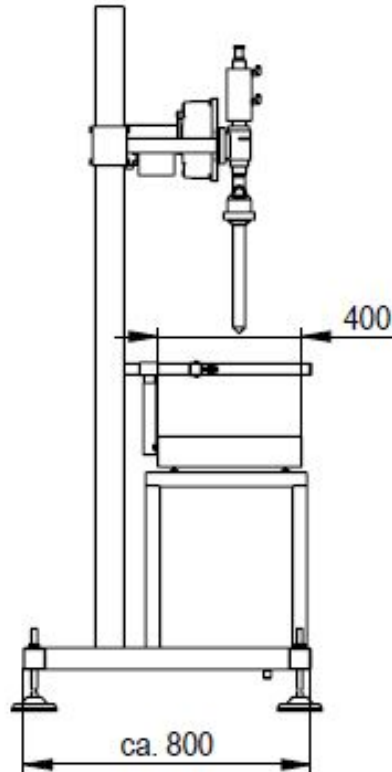
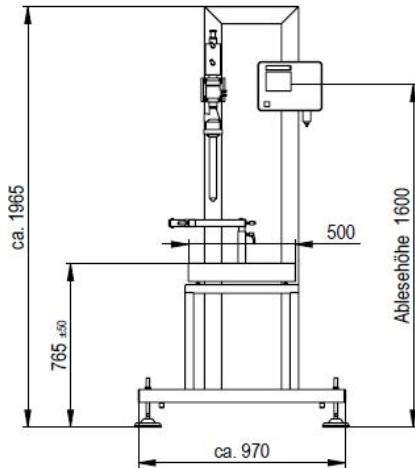
Time sav-  
ings

Protection  
type IP65

Stainless  
steel

Scale

## Dimensional drawings



**Bizerba SE & Co. KG**  
Wilhelm-Kraut-Straße 65  
72336 Balingen

T +49 7433 12-0  
fax: +49 7433 12-2696  
marketing@bizerba.com

[www.bizerba.com](http://www.bizerba.com)