

# Fact Sheet

## A400 openWorld

**BIZERBA**

*Flexible, fully automatic slicer for industrial use*



More information  
High performance  
with a wide range of  
solutions and options.

Specifications	Facts	Details
<b>Dimensions</b>		
<b>Installation surface</b>	410 x 490 mm / 16.2"x 19.3" (L x W)	
<b>Work area</b>	1300 x 1730 x 1380 mm / 51.2"x 68.1 "x 54.3" (L x W x H)	For version with a belt length of 1200 mm, maximum for all variants
<b>Electrical data</b>		
<b>Voltage</b>	400 V 380 V 200 V 120 V 220 V 220 V	Three-phase alternating current, 50 Hz, 1.4 kW Three-phase alternating current, 60 Hz, 1.4 kW Three-phase alternating current, 50 Hz, 2.5 kW Single-phase alternating current, 60 Hz, 3.1 kW Single-phase alternating current, 60 Hz, 3.1 kW Three-phase alternating current, 60 Hz, 2.5 kW
<b>Rated current consumption</b>	3.1 A max.	Depending on selected voltage
<b>Protection class</b>	IP33	Suitable for manual cleaning, individual components suitable for cleaning with hose or in the dishwasher
<b>Performance data</b>		
<b>Product size</b>	50 x 50 mm / 1.97 x 1.97" Up to 240 x 175 mm / 9.45 x 6.9" (W x H) Round products 50 - 180 mm / 1.97 - 7.1"	
<b>Slice thickness</b>	0.5 - 12 mm / 0.02 - 0.5"	Motorized adjustment, in PLU data storable
<b>Product length</b>	Up to 600 mm / 23.62"	
<b>Slicing performance</b>	up to 55 slices per minute	cutting performance depending on depositing pattern and product to be sliced
<b>Operation</b>	Membrane keyboard with quick keys Program memory for up to 200 recipes	
<b>Installation</b>	Mobile with optional stand, adjustable feet while slicer is in operation	
<b>Gross weight</b>	109 kg/241 lbs	
<b>Housing materials</b>	Stainless steel and anodized aluminum	complies with regulation (CE) No. 1935/2004
	Plastics	complies with regulation (CE) No. 10/2011
<b>Options</b>		
<b>Options</b>	<b>Facts</b>	<b>Details</b>

<b>Discharge conveyor</b>	1200 mm	Standard configuration
	600 mm, multi-lane	Various versions
	300 mm, plastic belt	Food-grade, for combination with packaging machines
<b>Control interface</b>	I/O interface Light sensor Light sensor External switch off option	24 V for downstream machines and interleaver
<b>Stand</b>	With castors and lock	

### Infographic



### Symbols



CE



DGUV tested  
(GS)



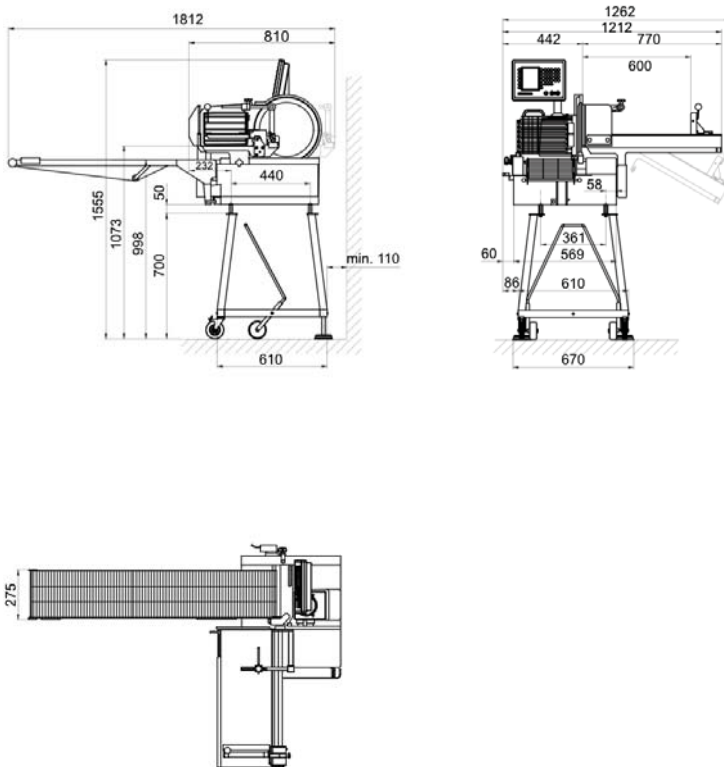
ETL Sanitation



UL/cUL

---

## Dimensions



---

**Bizerba SE & Co. KG**  
Wilhelm-Kraut-Straße 65  
72336 Balingen  
Germany

T +49 7433 12-0  
F +49 7433 12-2696  
marketing@bizerba.com

[www.bizerba.com](http://www.bizerba.com)